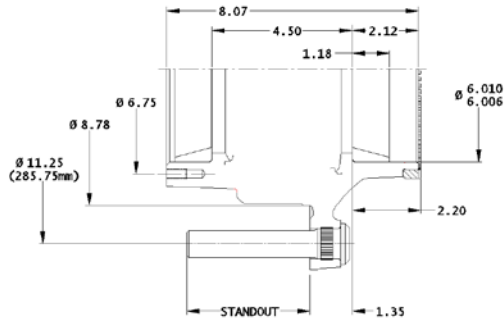


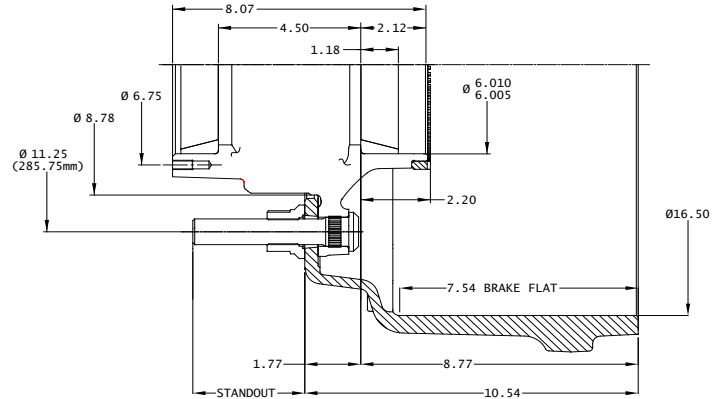
Walther Engineering and Manufacturing Co., Inc.

Part Number	Application	Standout	Lbs.	Bolts
Easy-Roll™ Hubs for P Straight-Spindle Axles				
10-00161-001	Hub Piloted/Aluminum Dual Wheel	3.96"	47	02-00045
10-00161-002	Hub Piloted/Steel Dual Wheel	3.03"	45	02-00044
10-00161-003	Stud Piloted RH/Cast Brake Drum	1.88"	42	02-00057
10-00161-004	Stud Piloted LH/Cast Brake Drum	1.88"	42	20-00058
10-00161-005	Stud Piloted RH/Fused Brake Drum	1.63"	42	02-00061
10-00161-006	Stud Piloted LH/Fused Brake Drum	1.63"	42	20-00062
10-00161-101	ABS Hub Piloted/Aluminum Dual Wheel	3.96"	47	02-00045
10-00161-102	ABS Hub Piloted/Steel Dual Wheel	3.03"	46	02-00044
10-00161-103	ABS Stud Piloted RH/Cast Brake Drum	1.88"	43	02-00057
10-00161-104	ABS Stud Piloted LH/Cast Brake Drum	1.88"	43	20-00058
10-00161-105	ABS Stud Piloted RH/Fused Brake Drum	1.63"	43	02-00061
10-00161-106	ABS Stud Piloted LH/Fused Brake Drum	1.63"	43	20-00062



Part Number	Application	Standout	Lbs.	Bolts
Easy-Roll™ Hubs for P Straight-Spindle Axles with 16.5 x 7" Cast Drum				
1003161-031043*	Hub/Cast Drum Assy,HP,AL Whl	3.54"	156	02-00045
1003161-032043*	Hub/Cast Drum Assy,HP,ST Whl	2.61"	155	02-00044
1006161-033043	Hub/Cast Drum Assy, SP, RH	1.46"	151	02-00057
1007161-034043	Hub/Cast Drum Assy, SP, LH	1.46"	151	20-00058
1003161-131043*	ABS Hub/Cast Drum Assy,HP,AL Whl	3.54"	157	02-00045
1003161-132043*	ABS Hub/Cast Drum Assy,HP,ST Whl	2.61"	155	02-00044
1006161-133043	ABS Hub/Cast Drum Assy, SP, RH	1.46"	152	02-00057
1007161-134043	ABS Hub/Cast Drum Assy, SP, LH	1.46"	152	20-00058

* Includes two flanged wheel nuts



P Bearings	
HM518410	bearing cup - outer bore
HM518410	bearing cup - inner bore
HM518445	bearing cone

Drums		
03-00043	16.5 x 7" Cast Brake Drum	108 lbs
89996B	16.5 x 7" Centrifuse® Brake Drum	90 lbs
13-00060	16.5 x 8.62" Balanced Brake Drum	122 lbs

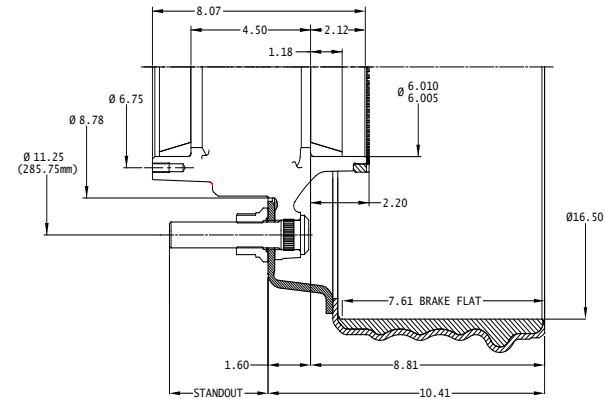
Component Parts	
02-39702	Metform - Two-piece, Flanged Wheel Nut,M22x1.5 .4 lbs

Hub Dynamic Load Ratings	
Wheel Offset	Load/Hub
0	12,500 lbs
0.56"	12,043 lbs
2.00"	11,000 lbs
2.38"	10,765 lbs
2.75"	10,538 lbs
3.50"	10,105 lbs
3.88"	9,899 lbs
6.66"	7,300 lbs

Lubricant Fill Volumes	
30.8 fl-oz	Oil Lubrication Fill Level
129.3 in³	Vol. Between Cup Seats Including Spindle Displacement
35.8 fl-oz	50% Fill Level for Semi-Fluid, Including Spindle Displacement

Easy-Roll™ Hubs for P Straight-Spindle Axles with 16.5 x 7" Centrifuse®				
1003161-041095*	Hub/Fused Drum Assy,HP,AL Whl	3.71"	138	02-00045
1003161-042095*	Hub/Fused Drum Assy,HP,ST Whl	2.78"	136	02-00044
1006161-045095	Hub/Fused Drum Assy,SP, RH	1.38"	133	02-00061
1007161-046095	Hub/Fused Drum Assy, SP,LH	1.38"	133	20-00062
1003161-141095*	ABS Hub/Fused Drum Assy,HP,AL Whl	3.71"	139	02-00045
1003161-142095*	ABS Hub/Fused Drum Assy,HP,ST Whl	2.78"	137	02-00044
1006161-145095	ABS Hub/Fused Drum Assy,SP,RH	1.38"	134	02-00061
1007161-146095	ABS Hub/Fused Drum Assy,SP,LH	1.38"	134	20-00062

* Includes two flanged wheel nuts



Walther Engineering and Manufacturing Co., Inc.

Part Number	Application	Standout	Lbs.	Bolts
Easy Roll™ Hubs for P Straight-Spindle Axles with 16.5 x 8.62" Cast Brake Drum				
1003161-021060*	Hub/Bal Drum Assy,HP,AL Whl	3.46"	169	02-00045
1003161-022060*	Hub/Bal Drum Assy,HP,ST Whl	2.53"	167	02-00044
1006161-023060	Hub/Bal Drum Assy,SP,RH	1.38"	164	02-00057
1007161-024060	Hub/Bal Drum Assy, SP,LH	1.38"	164	20-00058
1003161-121060* ABS	Hub/Bal Drum Assy,HP,Al Whl	3.46"	170	02-00045
1003161-122060* ABS	Hub/Bal Drum Assy,HP,St Whl	2.53"	168	02-00044
1006161-123060 ABS	Hub/Bal Drum Assy,SP,RH	1.38"	165	02-00057
1007161-124060 ABS	Hub/Bal Drum Assy,SP,LH	1.38"	165	20-00058

* Includes two flanged wheel nuts

